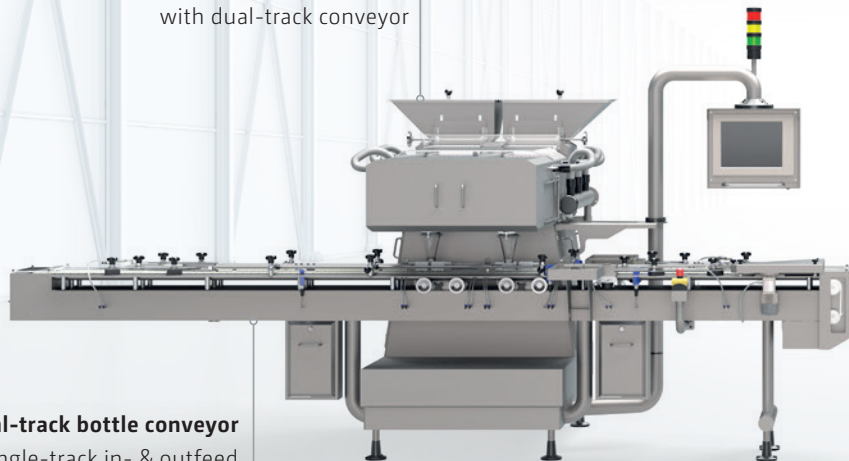


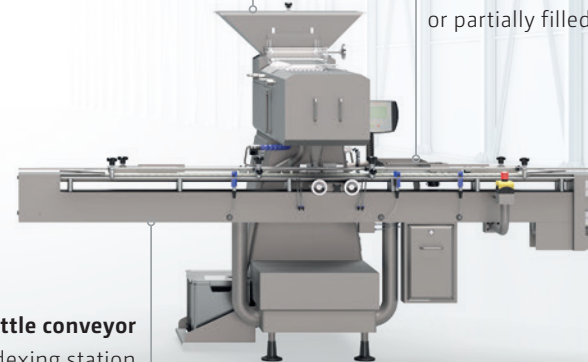
# CF 1220: THE NUMBER ONE MID-RANGE COUNTING AND BOTTLE FILLING SOLUTION FOR SOLID DOSE PRODUCTS

**Cremer CF 1220\*2**  
2x12-channel tablet counter  
with dual-track conveyor



**Dual-track bottle conveyor**  
with single-track in- & outfeed

**Cremer CF 1220**  
12-channel tablet counter  
with single-track conveyor



**Bottle reject station**  
for the removal of empty  
or partially filled bottles

**Single-track bottle conveyor**  
with bottle indexing station

## EXTREMELY VERSATILE AND RELIABLE TABLET AND CAPSULE COUNTING AND BOTTLE FILLING SYSTEMS FOR THE PHARMACEUTICAL, NUTRACEUTICAL AND GENERIC DRUG INDUSTRY.

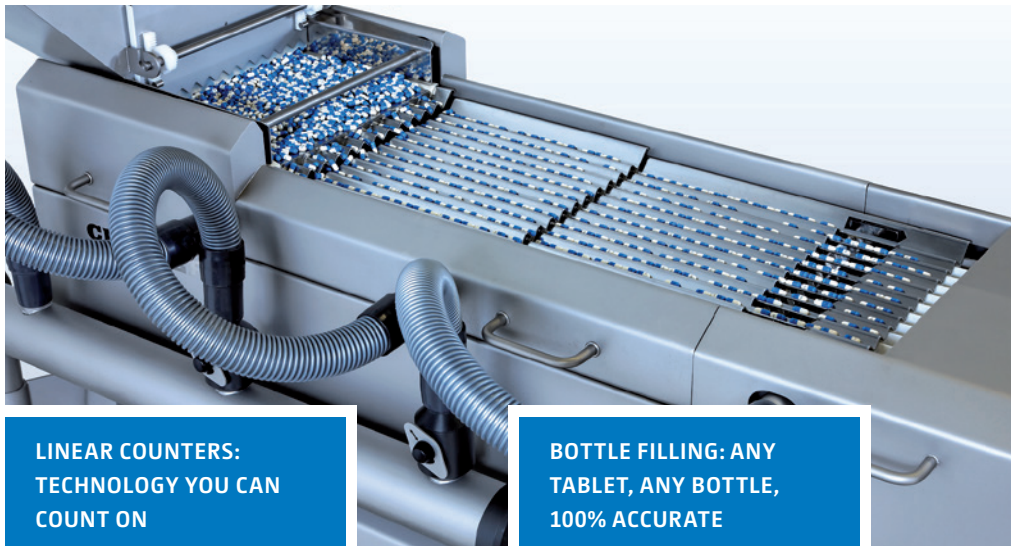
Basic system concept: The CF 1220 is a 12-channel linear tablet and capsule counter with integrated indexing bottle conveyor. The linear concept uses three vibratory plates for optimal product separation and infrared product detection that guarantees 100% accurate counts. The counter is available with 12 or 24 product channels.

- 100% counting accuracy
- Proven, reliable and durable
- cGMP design and construction
- 21 CFR part 11 compliant HMI
- FDA-compliant contact parts
- Ease of operation and cleaning
- Tool-free format changeover
- Many optional features for increased output and performance optimisation
- Meets all US and European pharma-grade standards

### Output data of the CF 1220 at a glance:

<b>Available models</b>	CF 1220	CF 1220*2
<b>Number of counting channels</b>	12	2 x 12
<b>Max. counting speed</b> (products/min)	5,500	10,000
<b>Max. output</b> (bottles/min)	55	100
<b>Bottle height</b>	40-200 mm	40-200 mm
<b>Bottle diameter</b>	20-110 mm	20-100 mm

# SOLUTIONS BEYOND COUNTING. MAXIMISING YOUR PRODUCTION EFFICIENCY THROUGH OUR EXPERIENCE, TECHNOLOGY AND DEDICATION.



**LINEAR COUNTERS:  
TECHNOLOGY YOU CAN  
COUNT ON**

**BOTTLE FILLING: ANY  
TABLET, ANY BOTTLE,  
100% ACCURATE**

The CF 1220 is designed for seamless integration into complete bottle lines but can also be used as a stand-alone solution for numerous pharmaceutical and nutraceutical applications. The CF 1220 counts any kind of tablet, hard or softgel capsule with a guaranteed accuracy and fills almost any kind of glass or plastic bottle with only minimal change parts. The infrared detection system is able to identify unusual shapes and broken tablets and take appropriate action by rejecting the incorrect bottle.

The CF 1220 tablet counter offers many standard benefits such as:

- Large bulk hopper with fine dosing gate
- Linear vibratory plates for optimal product separation
- 12-channel infrared detection unit with 100% counting accuracy
- Fast acting separation flaps with pneumatic drives or servo drives for full motion control
- Vibrating filling nozzle
- Ideal as a stand-alone system or for use in a larger bottle line



**CUSTOM SOLUTIONS:  
TAILORED TO YOUR  
REQUIREMENTS**

**CREMER COUNTERS: IT'S  
THE RELIABILITY THAT  
COUNTS**

The counting and bottle filling system can be customised with many additional features:

- Servo controlled separation flaps
- Tablet eject system
- Bottle handling check sensors
- Fail safe bottle reject station
- Central dust extraction manifold
- Filling nozzle blockage sensor
- Bulk hopper level monitoring
- Validation support package
- Contact parts cleaning trolley

Reliable, resourceful and innovative are the key values that have made Cremer a market leader in solid dose bottle filling systems. Our market strength lies in the ability to provide both standardised as well as fully customisable solutions for both the pharmaceutical and nutraceutical industry. Advanced engineering with a committed focus on performance and durability has resulted in a series of bottle filling systems that ranges from compact tablet counters to modular high-end counters and bottle fillers with unprecedented performance.